

TWO-WAY C & X-BAND POWER DIVIDER

MODEL 883CX-2



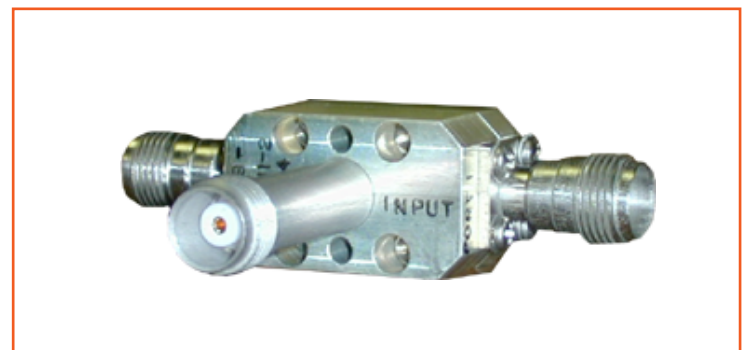
SUPPLYING HIGH PERFORMANCE FLIGHT INSTRUMENTATION, RF/MICROWAVE ASSEMBLIES, POWER AMPLIFIERS, IFF AND DATA ACQUISITION SYSTEMS FOR SEVERE ENVIRONMENTS.

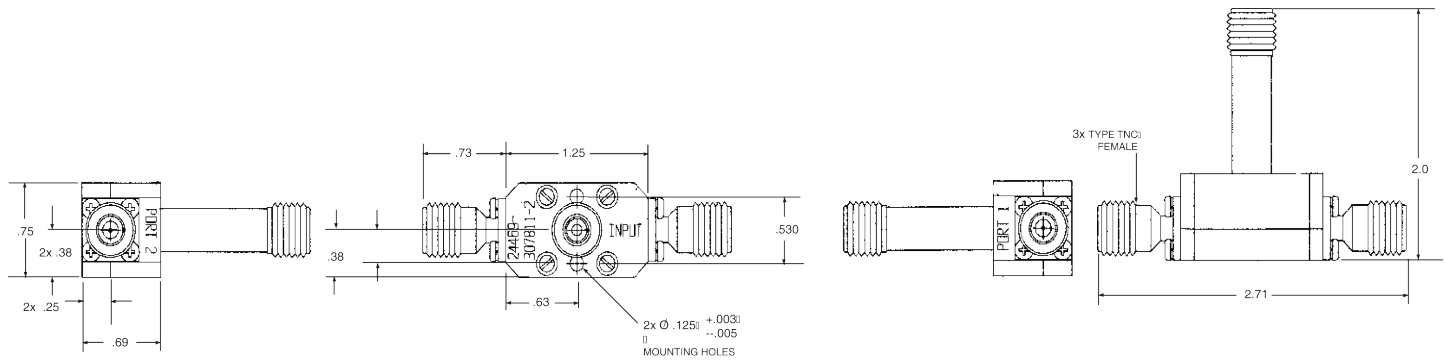
DESCRIPTION

This broadband power divider was developed as part of a lightweight C and X-Band Antenna System which can be installed in missiles or aircraft. The body of the power divider is machined out of aluminum which gives excellent reliability in missile and aircraft environments. The interior of the power divider consists of an input arm which goes through a transformer stage, and then couples with two or more output arms to complete the power division. The power divider has pre-drilled holes for mounting purposes.

FEATURES

- Developed as a part of a lightweight C and X-Band Antenna System which can be installed in missiles or aircraft
- Pattern coverage obtained with 2 antennas with the use of the power divider
- The body is constructed of machined aluminum
- Pre-drilled holes for mounting purposes





ELECTRICAL

- Frequency Range: 5.4 to 9.6 GHz
- Impedance: 50 ohms
- VSWR: <1.5:1
- Insertion Loss: <0.5 dB
- Power Division: ± 0.5 dB
- Power Handling Capability: 1.5 kW peak
- Connector: TNC Female

PHYSICAL

- Size: 2" H (5 cm), .75" D (1.9 cm), 2.71" W (6.9 cm)
- Weight: 2.5 oz. (71 gms)

PRODUCT NUMBERS

- P/N 307811-2 - Standard unit



making a difference

Ultra Electronics
 HERLEY
 3061 Industry Drive
 Lancaster, PA USA 17603
 Tel: +1 717 397 2777
 www.ultra-herley.com
 www.ultra-electronics.com

Ultra Electronics reserves the right to vary these specifications without notice.
 © Ultra Electronics Limited 2015.
 Printed in USA
 August 2015