

2, 3, & 4-WAY POWER DIVIDERS

MODEL 853-2C, 854-3C, 855-4C



SUPPLYING HIGH PERFORMANCE FLIGHT INSTRUMENTATION, RF/MICROWAVE ASSEMBLIES, POWER AMPLIFIERS, IFF AND DATA ACQUISITION SYSTEMS FOR SEVERE ENVIRONMENTS.

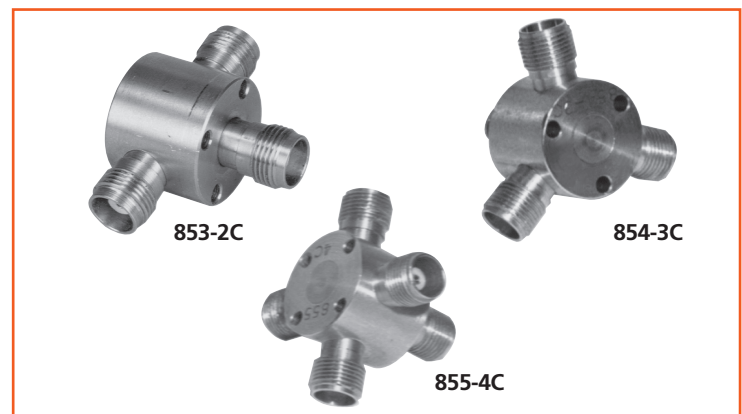
DESCRIPTION

This family of broadband power dividers was developed as part of a lightweight C-Band Antenna System which can be installed in any of a large group of missiles. Because of the large variety of missiles, the system was designed to provide flexibility in the number of antennas that may be used with any particular missile. Pattern coverage may be obtained with two, three or four antennas in operation with the use of the appropriate power divider.

The body of the power dividers is constructed of stainless steel which gives excellent reliability in missile environments. The interior of each power divider consists of input arm which goes through one or more transformer stages, and then couples with two or more output arms to complete the power division. Each power divider has pre-drilled holes for mounting purposes.

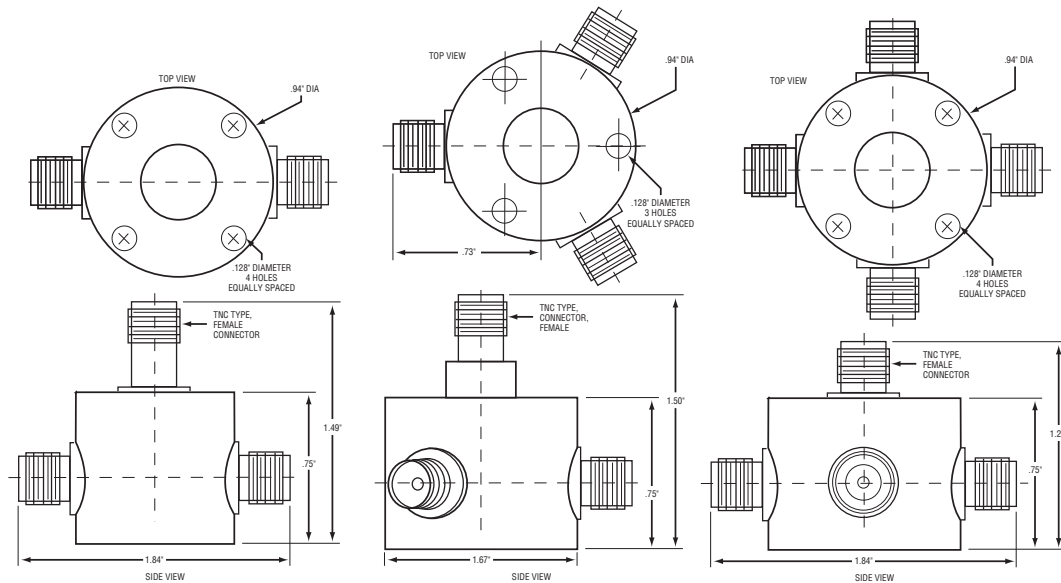
FEATURES

- Developed as a part of a light-weight C-Band Antenna System which can be installed in a large group of missiles
- Pattern coverage obtained with 2, 3, or 4 antennas in operation with the use of appropriate power dividers
- The body is constructed of stainless steel
- Pre-drilled holes for mounting purposes



HERLEY

Ultra
ELECTRONICS



ELECTRICAL

- Frequency Range: 5.4 to 5.9 GHz
- Impedance: 50 ohms
- VSWR: <1.3:1
- Insertion Loss: <0.5 dB
- Power Division: ± 0.5 dB
- Power Handling Capability: 1.5 kW peak
- Connector: TNC / SMA

PRODUCT NUMBERS

- *P/N 300704-1* - 853-2C, Two-way, TNC connector
- *P/N 303152-1* - 853-2C1, Two-way, SMA connector
- *P/N 300699-1* - 854-3C, Three-way, TNC connector
- *P/N 301324-1* - 854-3C1, Three-way, SMA connector
- *P/N 300693-1* - 855-4C, Four-way, TNC connector

PHYSICAL

- 853-2C
Size: 1.49" H (3.78 cm), .94" D (2.39 cm), 1.84" W (4.67 cm)
Weight: 2.3 oz. (65.2 gms)
- 854-3C
Size: 1.5" H (3.81 cm), .94" D (2.39 cm), 1.67" W (4.24 cm)
Weight: 2.5 oz. (70.9 gms)
- 855-4C
Size: 1.28" H (3.25 cm), .94" D (2.39 cm), 1.84" W (4.67 cm)
Weight: 2.7 oz. (76.5 gms)



making a difference

Ultra Electronics
HERLEY LANCASTER
3061 Industry Drive
Lancaster, PA USA 17603
Tel: +1 717 397 2777
www.ultra-herley.com
www.ultra-electronics.com
sales@ultra-herley.com

Ultra Electronics reserves the right to vary these specifications without notice.
© Ultra Electronics Limited 2016.
Printed in USA
April 2016