

C & X-BAND STUB ANTENNA

MODEL 845CX



SUPPLYING HIGH PERFORMANCE FLIGHT INSTRUMENTATION, RF/MICROWAVE ASSEMBLIES, POWER AMPLIFIERS, IFF AND DATA ACQUISITION SYSTEMS FOR SEVERE ENVIRONMENTS.

DESCRIPTION

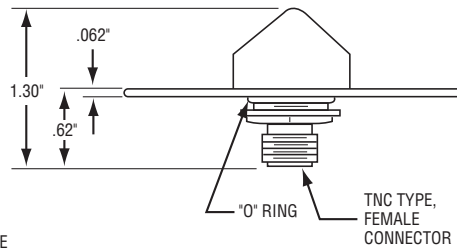
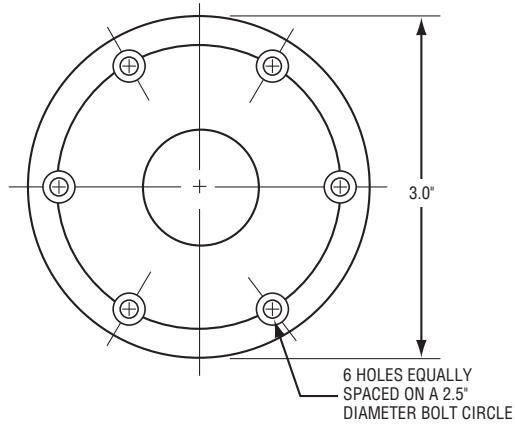
The Model 845CX Stub Antenna was developed for airborne applications in association with either C-Band or X-Band transponders. The antenna is a vertical polarized omnidirectional antenna enclosed within a radome. The antenna is characterized by its compactness and is extremely lightweight while still maintaining the electrical and environmental characteristics required by this type of antenna.

The skin of the vehicles serves as the ground plane for the antenna due to the simplified mounting technique. Mounting of the antenna is accomplished via a three inch diameter plate.

FEATURES

- Developed for airborne applications in C-band or X-Band transponders
- Vertical polarized omnidirectional enclosed within a radome
- Compact and extremely lightweight while still maintaining the electrical and environmental characteristics
- Simplified mounting via a three inch diameter plate





ELECTRICAL

- Frequency Range: 5.4 to 9.6 GHz
- Impedance: 50 ohms
- VSWR: $\leq 2.0:1$
- Polarization: Vertical (linear)
- Power: 1.5 kW peak .002 duty cycle
- Azimuth Beamwidth: Omni-directional
- Elevation Beamwidth: That of 1/4 stub
- Connector: TNC (female)
- Sealing: O-Ring
- Altitude: 70,000 feet
- Temperature: -80°F (-62.2°C) to $+307^{\circ}\text{F}$ (152.8°C)
- Random Vibration: Short term - 17.8 g's, 10 to 2000 Hz; Long term - 13.8 g's, 10 to 2000 Hz

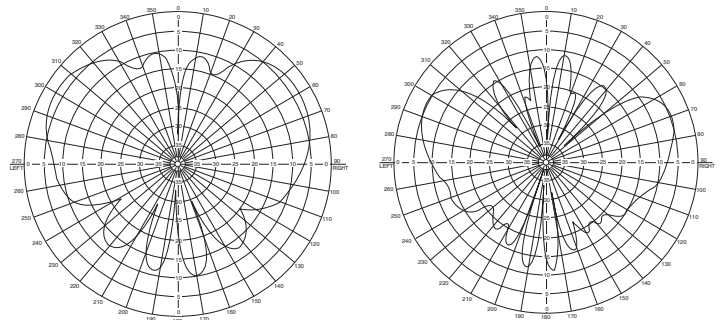
PHYSICAL

- Size: 1.3" height (3.3 cm), 3.0" diameter (85 cm)
- Weight: 1.5 oz. (42.5 gms)

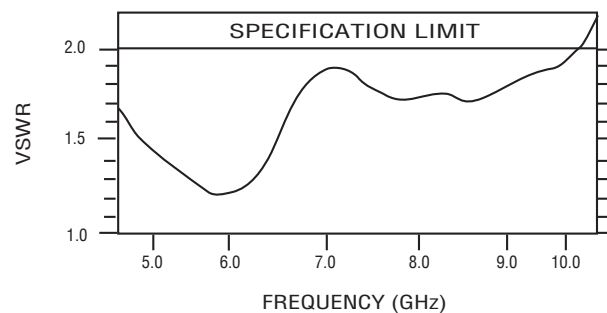
PRODUCT NUMBERS

- P/N 302418-1 - Standard unit

6" DIA GROUND PLANE C-BAND 6" DIA GROUND PLANE X-BAND



TYPICAL VSWR VS FREQUENCY



making a difference

Ultra Electronics
HERLEY
3061 Industry Drive
Lancaster, PA USA 17603
Tel: +1 717 397 2777
www.ultra-herley.com
www.ultra-electronics.com

Ultra Electronics reserves the right to vary these specifications without notice.
© Ultra Electronics Limited 2015.
Printed in USA
August 2015