

C-BAND STUB ANTENNA

MODEL 845CX-8



SUPPLYING HIGH PERFORMANCE FLIGHT INSTRUMENTATION, RF/MICROWAVE ASSEMBLIES, POWER AMPLIFIERS, IFF AND DATA ACQUISITION SYSTEMS FOR SEVERE ENVIRONMENTS.

DESCRIPTION

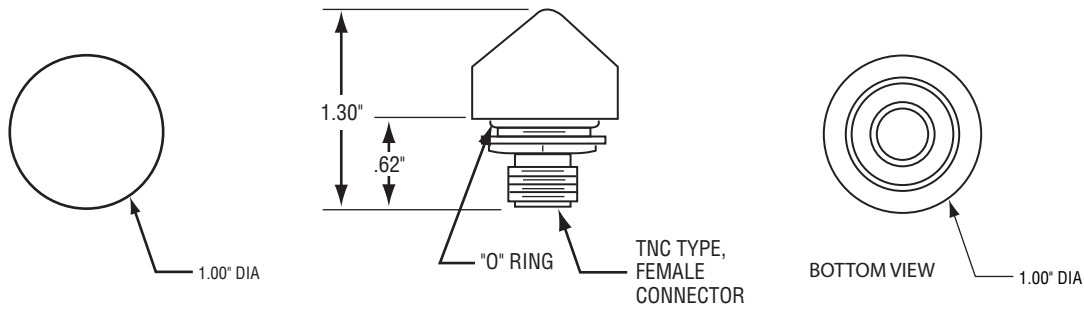
The Model 845CX-8 Stub Antenna was developed for airborne applications in association with C-Band transponders. The antenna is a vertical polarized omnidirectional antenna enclosed within a radome. The antenna is characterized by its compactness and is extremely lightweight while still maintaining the electrical and environmental characteristics required by this type of antenna.

The skin of the vehicle serves as the ground plane for the antenna due to the simplified mounting technique. Mounting of the antenna is accomplished via a "D" hole through the vehicle skin. It is then secured to the vehicle with a locking nut.

FEATURES

- Developed for airborne applications in C-band transponders
- Vertical polarized omnidirectional enclosed within a radome
- Compact and extremely lightweight while still maintaining the electrical and environmental characteristics
- Simplified mounting





ELECTRICAL

- Frequency Range: 4.0 to 8.0 GHz
- Impedance: 50 ohms
- VSWR: $\leq 2.0:1$
- Polarization: Vertical (linear)
- Power: 1.5 kW peak
- Azimuth Beamwidth: Omni-directional
- Elevation Beamwidth: That of 1/4 stub
- Connector: TNC (female)
- Sealing: O-Ring
- Altitude: 70,000 feet
- Temperature: -80°F (-62.2°C) to $+307^{\circ}\text{F}$ (152.8°C)

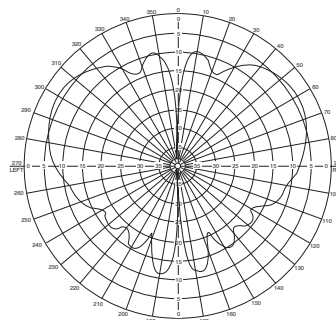
PHYSICAL

- Size: 1.3" height (3.3 cm)
- Weight: 1.2 oz. (34 gms)

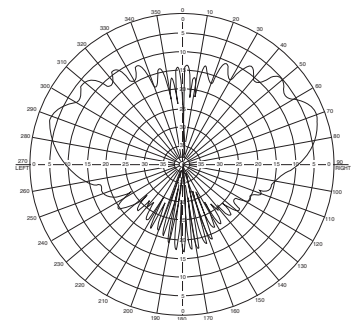
PRODUCT NUMBERS

- P/N 406657-1 - Standard unit

6" DIA GROUND PLANE

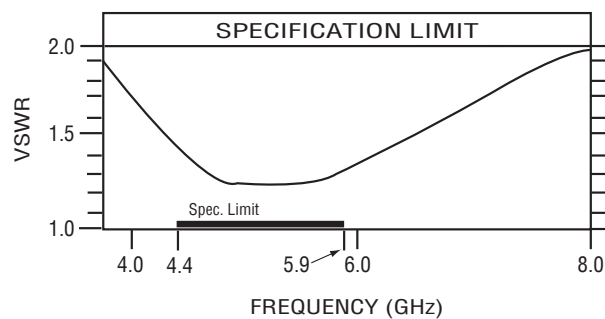


24" DIA GROUND PLANE



FREQUENCY 5.65 GHz

TYPICAL VSWR VS FREQUENCY



making a difference

Ultra Electronics
 HERLEY
 3061 Industry Drive
 Lancaster, PA USA 17603
 Tel: +1 717 397 2777
 www.ultra-herley.com
 www.ultra-electronics.com

Ultra Electronics reserves the right to vary these specifications without notice.
 © Ultra Electronics Limited 2015.
 Printed in USA
 August 2015