

# S-BAND STUB ANTENNA

## MODEL 832S



SUPPLYING HIGH PERFORMANCE FLIGHT INSTRUMENTATION, RF/MICROWAVE ASSEMBLIES, POWER AMPLIFIERS, IFF AND DATA ACQUISITION SYSTEMS FOR SEVERE ENVIRONMENTS.

### DESCRIPTION

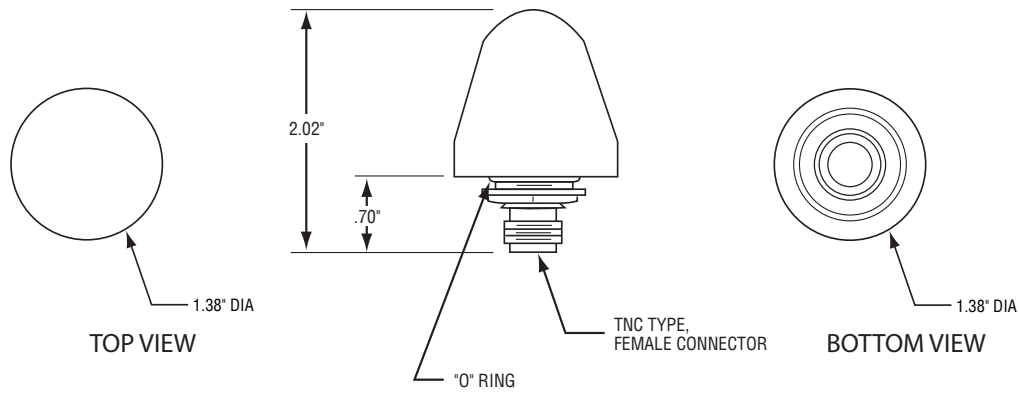
The Model 832S Stub Antenna was developed for airborne application in association with S-Band transponders. The antenna is a vertical polarized omnidirectional antenna enclosed within a radome. The antenna is characterized by its compactness and is extremely lightweight while still maintaining the electrical and environmental characteristics required by this type of antenna.

The skin of the vehicles serves as the ground plane for the antenna due to the simplified mounting technique. Mounting of the antenna is accomplished via a "D" hole through the vehicle skin. It is then secured to the vehicle with a locking nut from inside the vehicle skin.

### FEATURES

- Developed for airborne application with S-Band transponders
- Vertical polarized omnidirectional enclosed within a radome
- Compact and extremely lightweight while still maintaining the electrical and environmental characteristics
- Simplified mounting





**ELECTRICAL**

- Frequency Range: 2.0 to 5.36 GHz
- Impedance: 50 ohms
- VSWR: 2.00:1 typical
- Polarization: Vertical (linear)
- Power: 1.5 kW peak
- Azimuth Beamwidth: Omni-directional
- Elevation Beamwidth: That of 1/4 stub
- Connector: TNC (female)
- Sealing: O-Ring

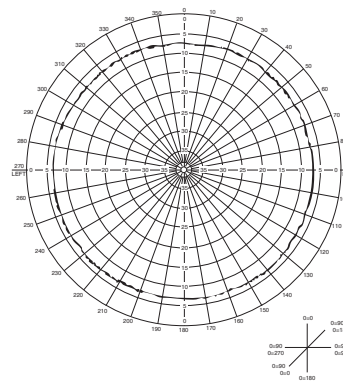
**PHYSICAL**

- Size: 2.02" height (5.13 cm), 1.38" diameter (3.50 cm)
- Weight: 3.0 oz. (85 gms)

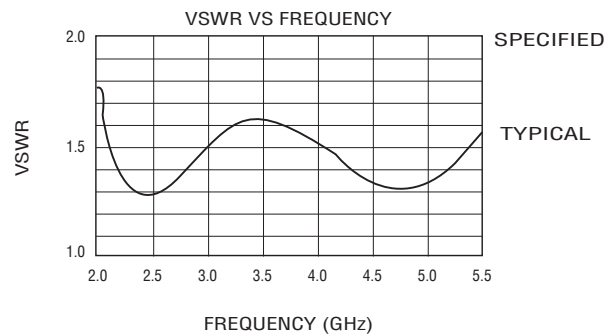
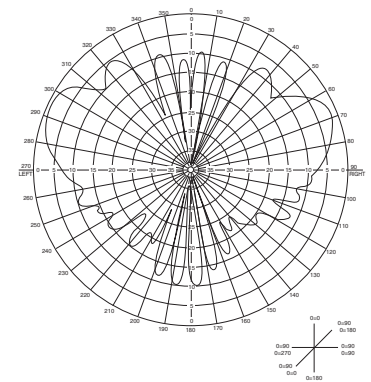
**PRODUCT NUMBERS**

- P/N 302211-1 - Standard unit, 2.0 to 5.36 GHz

**AZIMUTH PLANE**



**ELEVATION PLANE**



making a difference

**Ultra Electronics**  
 HERLEY  
 3061 Industry Drive  
 Lancaster, PA USA 17603  
 Tel: +1 717 397 2777  
 www.ultra-herley.com  
 www.ultra-electronics.com

Ultra Electronics reserves the right to vary these specifications without notice.  
 © Ultra Electronics Limited 2015.  
 Printed in USA  
 August 2015