

L-BAND SLOTTED BLADE ANTENNA

MODEL 803L



SUPPLYING HIGH PERFORMANCE FLIGHT INSTRUMENTATION, RF/MICROWAVE ASSEMBLIES, POWER AMPLIFIERS, IFF AND DATA ACQUISITION SYSTEMS FOR SEVERE ENVIRONMENTS.

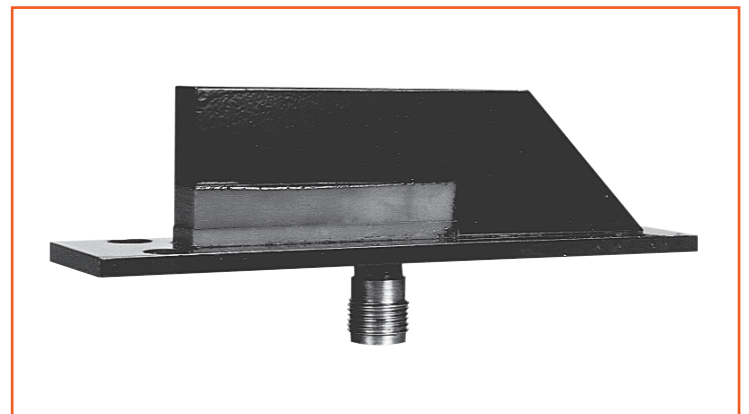
DESCRIPTION

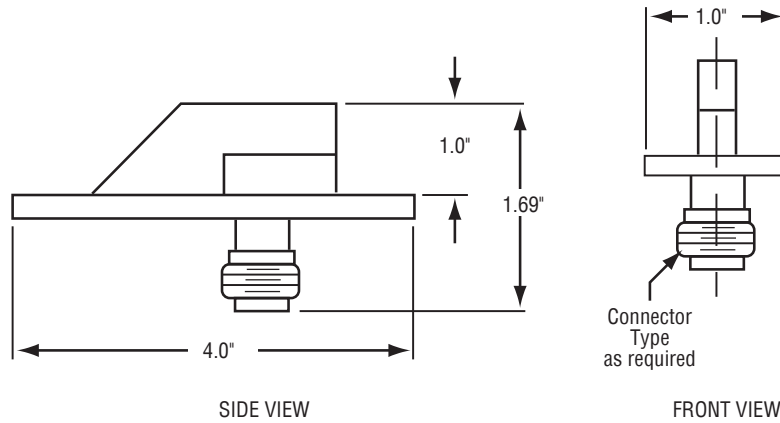
The Model 803L Slotted Blade Antenna was developed as part of an L-Band radar transponder system for use in drone application as an enhancement device for a tracking radar. The antenna provides linear radiation coverage with minimum aerodynamic drag. The body of the antenna is constructed of stainless steel which gives excellent reliability in missile environments with no degradation in electrical performance.

The Model 803L antenna may be used as a single element or in multi-element arrays depending on the particular application and desired pattern coverage.

FEATURES

- Linear radiation coverage with minimum aerodynamic drag
- Antenna body constructed of stainless steel
- Single or multi-element arrays used





ELECTRICAL

- Frequency Range: Tabulated
- Impedance: 50 ohms
- VSWR: $\leq 2.0:1$
- Polarization: Horizontal and vertical linears
- Power: 1.0 kW peak
- Connector: TNC

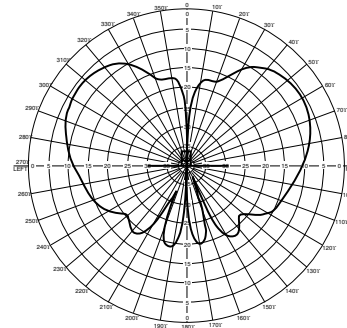
PHYSICAL

- Size: 4" x 1.69" (10.16 x 4.29 cm)
- Weight: 3 ounces (85 gms) maximum

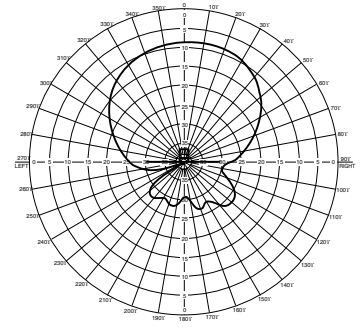
PRODUCT NUMBERS

- P/N 300794-1 - Standard unit: 1.0 to 1.1 GHz., TNC connector
- P/N 301089-1 - 803L-1: 1.75 GHz., TNC connector
- P/N 301412-1 - 803L-2: 1.0 to 1.2 GHz., TNC connector
- P/N 301413-1 - 803L-3: 1.45 to 1.55 GHz., TNC connector
- P/N 302277-1 - 803L-4: 1.68 GHz., TNC connector
- P/N 303701-1 - 803L-5: 0.910 to 0.920 GHz., TNC connector
- P/N 304454-1 - 803L-7: 1.0 to 1.11 GHz., TNC jack, no mounting plate
- P/N 306363-1 - 803L-8: 1.2 to 1.4 GHz., TNC jack

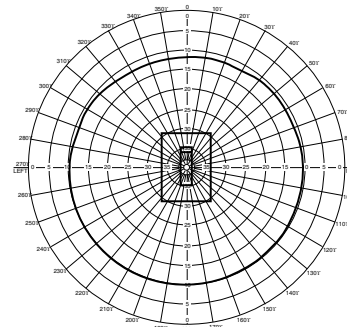
VERTICAL ROLL PLANE



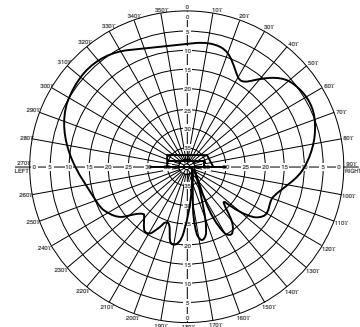
HORIZONTAL ROLL PLANE



VERTICAL YAW PLANE



VERTICAL PITCH PLANE



making a difference

Ultra Electronics
HERLEY
3061 Industry Drive
Lancaster, PA USA 17603
Tel: +1 717 397 2777
www.ultra-herley.com
www.ultra-electronics.com

Ultra Electronics reserves the right to vary these specifications without notice.
© Ultra Electronics Limited 2015.
Printed in USA
August 2015