

# S-BAND SLOTTED BLADE ANTENNA

## MODEL 802S



SUPPLYING HIGH PERFORMANCE FLIGHT INSTRUMENTATION, RF/MICROWAVE ASSEMBLIES, POWER AMPLIFIERS, IFF AND DATA ACQUISITION SYSTEMS FOR SEVERE ENVIRONMENTS.

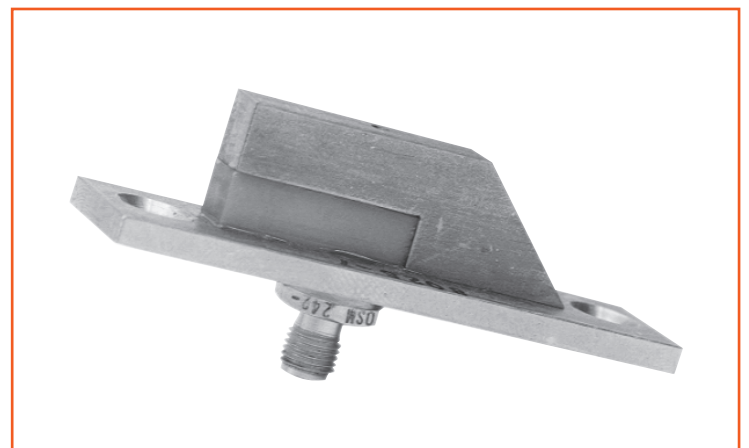
### DESCRIPTION

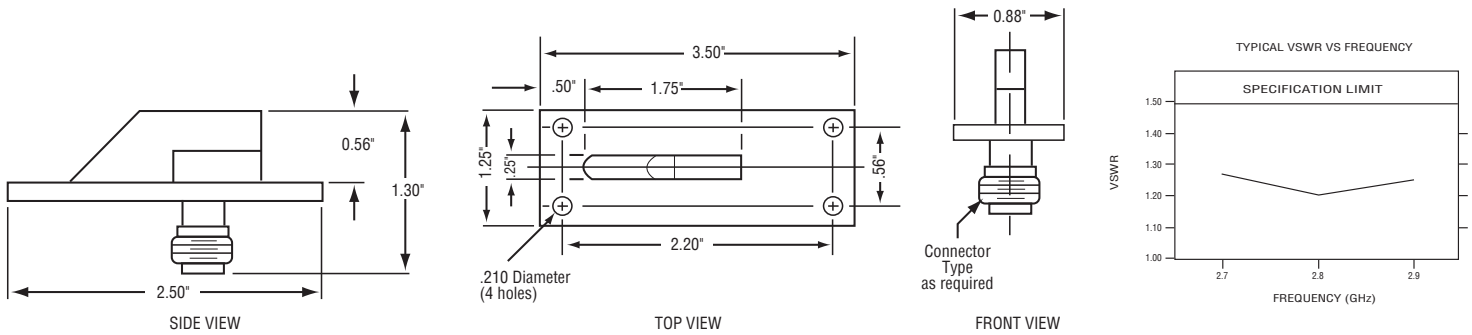
The Model 802S Slotted Blade Antenna was developed for Telemetry and Command functions on the Nike Apache vehicle. The antenna provides linear radiation coverage with minimum aerodynamic drag. The body of the antenna is constructed of stainless steel which gives excellent reliability in missile environments with no degradation in electrical performance.

The antenna may be used as a single element or in multielement arrays depending on the particular application and desired pattern coverage. The companion power dividers are Models 850-2S, 851-3S and 852-4S (two, three and four-way, respectively.) Antennas at other frequency ranges, with various connector and mounting arrangements, have been produced.

### FEATURES

- Linear radiation coverage with minimum aerodynamic drag
- Antenna body constructed of stainless steel
- Single or multielement arrays used





**ELECTRICAL**

- Frequency Range: 2.7 to 2.9 GHz
- Impedance: 50 ohms
- VSWR: < 1.5:1
- Polarization: Linear
- Power: 1.0 kW peak
- Connector: TNC female

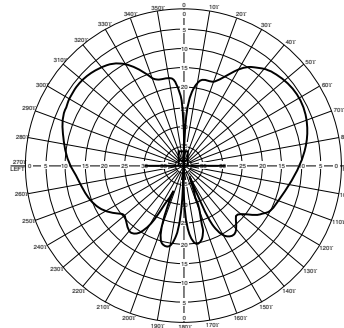
**PRODUCT NUMBERS**

- *P/N 300757-1* - Standard unit: 2.7 to 2.9 GHz., TNC connector
- *P/N 300757-2 - 802S-1*: 2.7 to 2.9 GHz., TNC connector, with a size change in the baseplate
- *P/N 300757-4 - 802S-4*: 2.7 to 2.9 GHz., TNC connector, with a size change in the baseplate
- *P/N 305249-1 - 802S-5*: 2.2 to 2.3 GHz., TNC connector
- *P/N 5300840-1 - 802S-9*: 2.31 to 2.39 GHz., TNC connector
- *P/N 5300840-2 - 802S-9*: 2.2 to 2.4 GHz., TNC connector

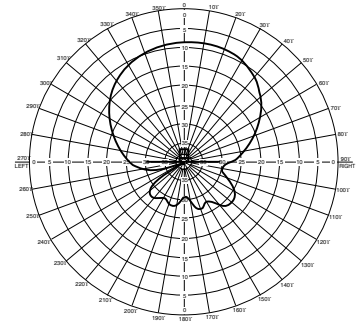
**PHYSICAL**

- Size: 2.5" x 0.88" (6.35 x 2.24 cm)
- Weight: 2 ounces (55 gms) maximum

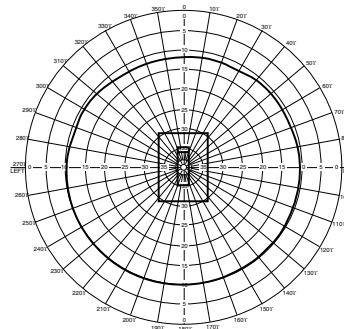
**VERTICAL ROLL PLANE**



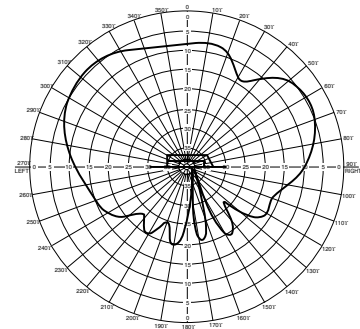
**HORIZONTAL ROLL PLANE**



**VERTICAL YAW PLANE**



**VERTICAL PITCH PLANE**



making a difference

Ultra Electronics  
 HERLEY  
 3061 Industry Drive  
 Lancaster, PA USA 17603  
 Tel: +1 717 397 2777  
 www.ultra-herley.com  
 www.ultra-electronics.com

Ultra Electronics reserves the right to vary these specifications without notice.  
 © Ultra Electronics Limited 2015.  
 Printed in USA  
 August 2015