

C-BAND SLOTTED BLADE ANTENNA

MODEL 801C



SUPPLYING HIGH PERFORMANCE FLIGHT INSTRUMENTATION, RF/MICROWAVE ASSEMBLIES, POWER AMPLIFIERS, IFF AND DATA ACQUISITION SYSTEMS FOR SEVERE ENVIRONMENTS.

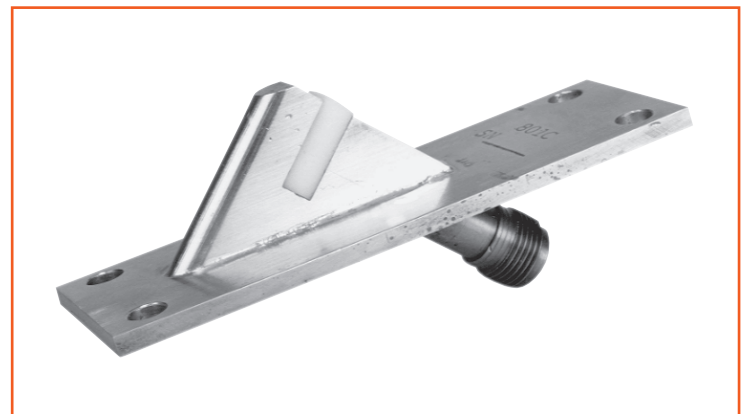
DESCRIPTION

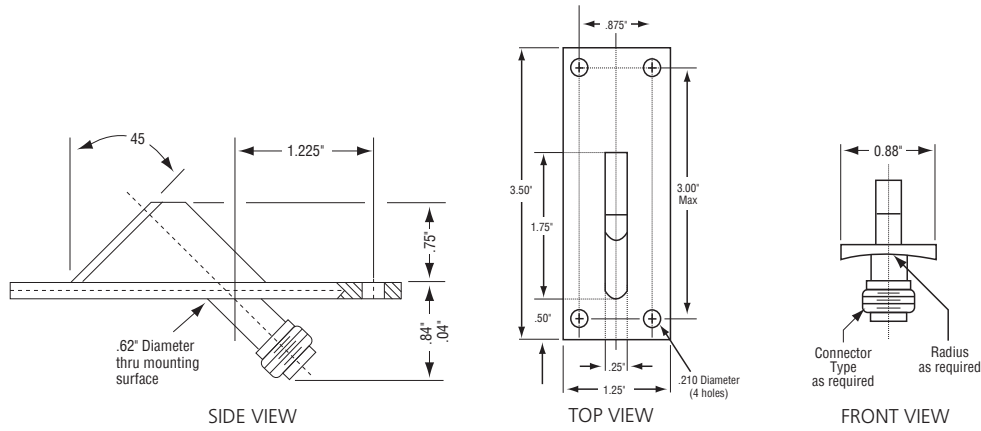
The 801C Slotted Blade Antenna series is rugged but lightweight, developed as part of a C-Band radar transponder system. Linear radiation coverage with minimum aerodynamic drag were key requirements in the design of the 801C. The body of the antenna is constructed of stainless steel which gives excellent reliability in missile environments with no degradation in electrical performance.

The antenna may be used as a single element or in multielement arrays depending on the particular application and desired pattern coverage. The companion power dividers are Models 853-2C, 854-3C and 855-4C (two, three and four-way, respectively.)

FEATURES

- Linear radiation coverage with minimum aerodynamic drag
- Antenna body constructed of stainless steel
- Single or multi-element arrays used





ELECTRICAL

- Frequency Range: 5.4 to 5.9 GHz
- Impedance: 50 ohms nominal
- VSWR: < 2.1:1
- Polarization: Linear
- Power: 1.0 kW peak
- Connector: TNC

PRODUCT NUMBERS (CONT.)

- P/N 400241-9 - 801C-8: 5.4 to 5.9 GHz
- P/N 400241-10 - 801C-9: 5.4 to 5.9 GHz

PHYSICAL

- Size: 3.5" x 1.25" (9 x 3.1 cm)
- Weight: 3 ounces (85 gms) maximum

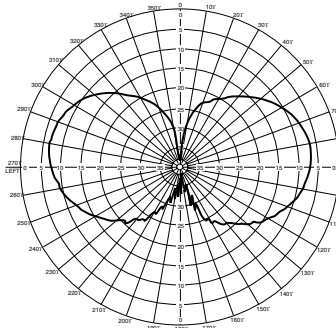
OPTIONS

- Baseplate Radius for 801C: 4.5" (11.5 cm) radius
- Baseplate Radius for 801C-1: 7.5" (19.1 cm) radius
- Baseplate Radius for 801C-2: 8.6" (21.9 cm) radius
- Baseplate Radius for 801C-3: 7" (17.8 cm) radius
- Baseplate Radius for 801C-4: 8.5" (21.6 cm) radius
- Baseplate Radius for 801C-5: 6" (15 cm) radius
- Baseplate Radius for 801C-6: 6" (15 cm) radius
- Baseplate Radius for 801C-7: 7" (17.8 cm) radius
- Baseplate Radius for 801C-8: none
- Baseplate Radius for 801C-9: 4.5" (11.4 cm) flange radius

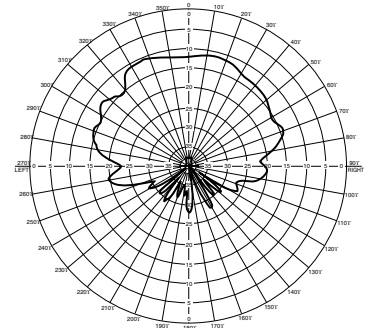
PRODUCT NUMBERS

- P/N 400241-1 - Standard unit: 5.4 to 5.9 GHz., TNC connector
- P/N 400241-2 - 801C-1: 5.4 to 5.9 GHz
- P/N 400241-3 - 801C-2: 5.4 to 5.9 GHz
- P/N 400241-4 - 801C-3: 5.4 to 5.9 GHz
- P/N 400241-5 - 801C-4: 5.4 to 5.9 GHz
- P/N 400241-6 - 801C-5: 5.4 to 5.9 GHz., no mounting holes
- P/N 400241-7 - 801C-6: 5.4 to 5.9 GHz
- P/N 400241-8 - 801C-7: 5.4 to 5.9 GHz

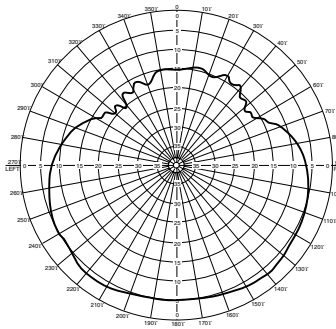
VERTICAL ROLL PLANE



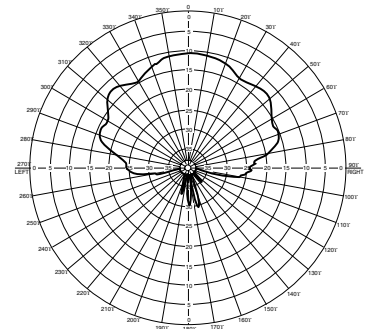
HORIZONTAL ROLL PLANE



VERTICAL YAW PLANE



VERTICAL PITCH PLANE



making a difference

Ultra Electronics
 HERLEY
 3061 Industry Drive
 Lancaster, PA USA 17603
 Tel: +1 717 397 2777
 www.ultra-herley.com
 www.ultra-electronics.com

Ultra Electronics reserves the right to vary these specifications without notice.
 © Ultra Electronics Limited 2015.
 Printed in USA
 August 2015